



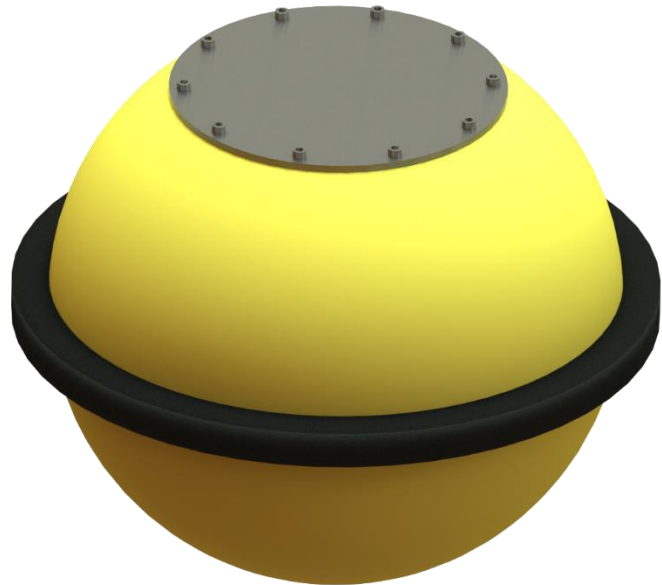
The R300 is a composite construction with high production rates offering:

- Lightweight and high resistance;
- Large battery & payload section;
- Excellent buoyancy & stability;
- Easy to deployment & service;
- Excellent corrosion resistance

No painting, ever.

Cost effective & environmentally friendly.

Customization to better suit your needs.



### Highlighted features:

- Light weight
- Easy handling
- High Durability
- Customizable
- Low maintenance
- I.A.L.A. compliant
- Impact resistant

The Wave Guardian R300SM is a marker device for ports and other maritime traffic zones, and can be adapted to perform water quality monitoring. Readings can be taken either dependent or independently and the probe will function correctly in fresh, salt or brackish water.

The WG R300SM is fully built in composite, withstanding impacts, solar exposure, salt water and corrosion exemplary. Each section is laminated using UV-stabilized, isophthalic polyester resin reinforced with Kevlar\* and glass fibers in order to obtain maximum durability, crash resistance and water impermeability. With thicknesses ranging from 3 up to 7mm this structure is rigid durable and reliable.

This smaller WG packs a punch and can be upgraded with up to 32 sensors and solar panels for larger energy independence. Simplified modular structure and electronics allow for easy upgradability and maintenance. Devices can be installed to meet specific client needs from low cost energy efficient sensors to high precision instruments.

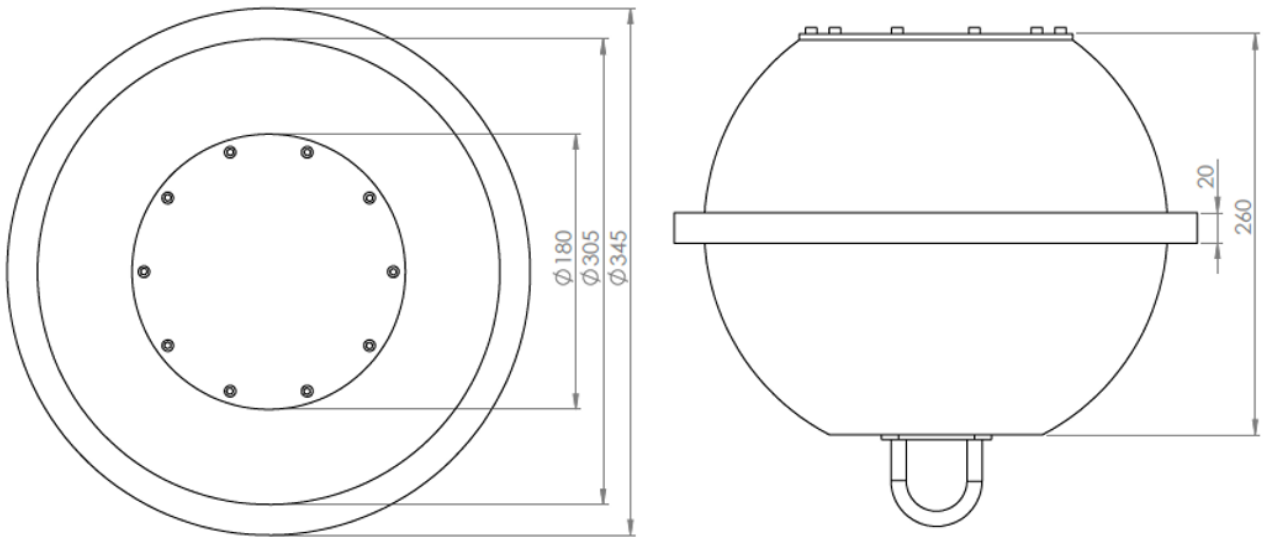
The R300 can generate alerts and send them to mobile devices via Wi-Fi or Bluetooth. Monitorization of several devices are achieved with radio frequency transmitter to connect large numbers of devices to 1 central server. This allows for a real time monitoring of dissolved oxygen, salinity, water level, temperature, pressure, position or live video.

The fully composite structure assures a rust free, low maintenance lifespan. No part of the structure requires painting at any stage of the product's life span. The WG can be supplied in all I.A.L.A. colors.

\*optional



## Marker Guardian R300



### Wave Guardian R300N

General Characteristics	
Available Colors	Yellow, Red and Green as per I.A.L.A. recommendations
Focal Plane Height (mm   in)	150,0   5,9
Total Float Volume (L   gal)	5,7   1,5
Nominal Freeboard (mm   in)	131,0   5,2
Freeboard, Minimum (mm   in)	20,0   0,8
Draft Maximum (mm   in)	191,0   7,5
Nominal Draft (mm   in)	150   5,9
Reserve Buoyancy (Kg   lb)	10   22
Visual Area (m <sup>2</sup>   ft <sup>2</sup> )	0,04   0,43
Water Area (m <sup>2</sup>   ft <sup>2</sup> )	0,3   3,2
Ballast (Kg   lb)	2,5   5,5
Maximum Mooring Load (Kg   lb)	5   11
Safe Working Load, 1point (Kg   lb)	200   441
Safe Working Load, 2points (Kg   lb)	NA
Submergence (Kg.cm <sup>-3</sup>   lb.in <sup>-3</sup> )	0,07   0,15
Physical Characteristics	
Material	Isophthalic NPG Polyester resin reinforced with Kevlar and glass fiber; 316-grade SS fixtures
Wall Thickness (mm   in)	5,0   0,2
Height (mm   in)	320,0   126,0
With (mm   in)	345,0   135,8
Mass (Kg   lb)	6,5   14,3
Product Life Expectancy	>20 years
Certifications I.A.L.A.	Surface colors compliant to I.A.L.A. E-108
Intellectual Property Trademarks	Marker Guardian is a registered trademark of Composite Solutions, Lda.
Quality Assurance	ISO 9001:2008
Warranty	1 year
Standard Equipment	
	Data logger with Bluetooth connectivity with upgradability up to 32 sensors
	32Gb of data storage
	LCD display
	Adjustable measuring time intervals
Optional Equipment	
	Dissolved Oxygen Kit
	Electrical conductivity, temperature & depth sensor Kit
	GPS
	Temperature, humidity, wind & pressure Kit
	Surveillance camera/motion sensor Kit
	Solar Panels
	Upgraded battery capacity
	Status light
	Wi-Fi, VHF, Iridium, RF, GPRS, 3G & 4G

