



This is a modular composite structure meant for temporary coastal events, such as water sports, providing reliable data about water conditions.

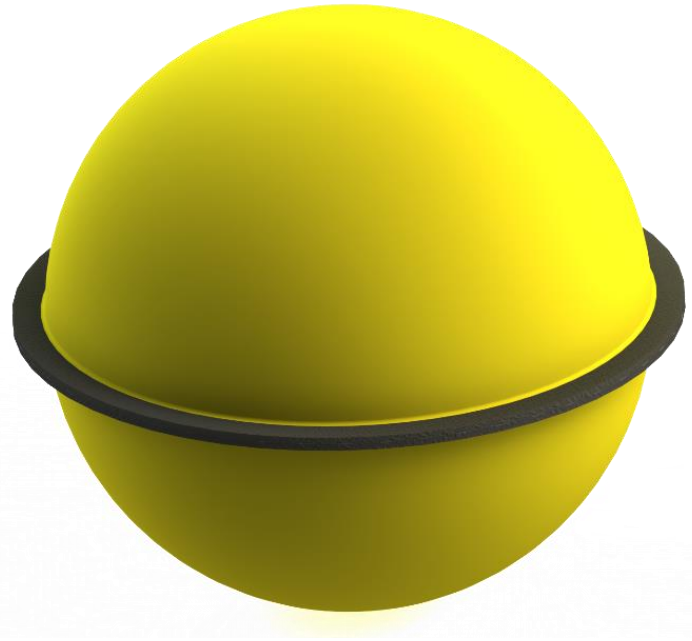
Its lightweight and high resistance mean an easy and fast deployment and recalling.  
User-friendly software!

WG R150 shows excellent buoyancy & stability.

Reduced Painting maintenance.  
Cost effective & environmentally friendly.  
Customizable solutions can be incorporated.

### Highlighted features:

- Light weight
- Easy handling
- Fast Deployment
- Customizable
- Low maintenance
- I.A.L.A. compliant
- Impact resistant



The Wave Guardian R150 is a temporary monitoring device for specific events where the water conditions need to be analyzed in real time. This is a near shore device that can provide a range of output from water temperature to water wavelength, to a nearby receiver. The WG R150 will stay active for one day, but the batteries can be changed very easily. Readings can be taken either dependent or independently and the probe will function correctly in fresh, salt or brackish water.

The WG R150 is fully built in composite, withstanding impacts, solar exposure, salt water and corrosion exemplary. Each section is laminated using UV-stabilized, isophthalic polyester resin reinforced with Kevlar\* and glass fibers to obtain maximum durability, crash resistance and water impermeability. With thicknesses ranging from 2 up to 4mm this structure is rigid durable and reliable.

This micro WG packs a punch and can be upgraded with up to 5 sensors fed by high capacity lithium batteries. Simplified modular structure and electronics allow for easy upgradability and maintenance. Devices can be installed to meet specific client needs, from low cost energy efficient sensors to high precision instruments.

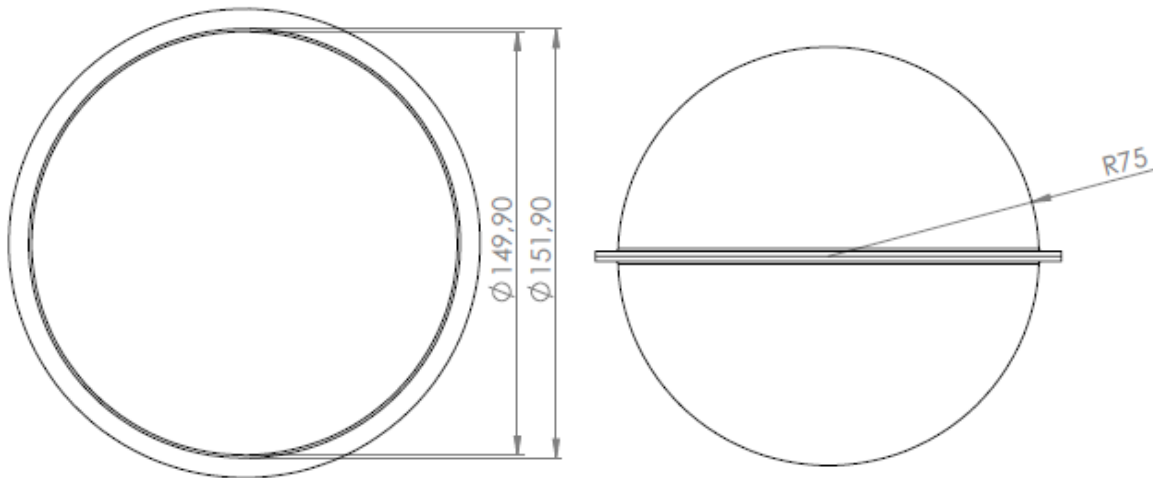
The WG R150 can generate alerts and send them to mobile devices via Wi-Fi or Bluetooth. Monitorization of several devices are achieved with radio frequency transmitter to connect large numbers of devices to 1 central server. This allows for a real time monitoring of water level, temperature, pressure, position, wave frequency.

The fully composite structure assures a rust free, low maintenance lifespan. No part of the structure requires painting at any stage of the product's life span. The WG can be supplied in all I.A.L.A. colors.

\*optional



## Wave Guardian R150



Wave Guardian R150	
<b>General Characteristics</b>	
Available Colors	Yellow, Red and Green as per I.A.L.A. recommendations
Focal Plane Height (mm/in)	75/3
Total Float Volume (L/gal)	0,71/0,19
Nominal Freeboard (mm/in)	75/3
Freeboard, Minimum (mm/in)	15,0/0,6
Draft, Maximum (mm/in)	75/3
Nominal Draft (mm/in)	75/3
Reserve Buoyancy (Kg/lb)	1,62/3,57
Visual Area (m <sup>2</sup> /ft <sup>2</sup> )	0,009/0,097
Water Area (m <sup>2</sup> /ft <sup>2</sup> )	0,07/0,76
Ballast (Kg/lb)	0,4/0,9
Maximum Mooring Load (Kg/lb)	0,81/1,79
Safe Working Load, 1point (Kg/lb)	Not Applied
Safe Working Load, 2points (Kg/lb)	Not Applied
Submergence (Kg.cm <sup>-3</sup> /lb.in <sup>-3</sup> )	0,02/0,04
<b>Physical Characteristics</b>	
Material	Isophthalic NPG Polyester resin reinforced with Kevlar and glass fiber; 316-grade SS fixtures
Height (mm/in)	152/6
With (mm/in)	152/6
Wall Thickness (mm/in)	2/0,08
Mass (Kg/lb)	0,15/0,33
Product Life Expectancy	>20 years
Certifications I.A.L.A.	Surface colors compliant to I.A.L.A. E-108
Intellectual Property Trademarks	Marker Guardian is a registered trademark of Composite Solutions, Lda.
Quality Assurance	ISO9001:2008
Warranty	1 year
<b>Standard Equipment</b>	Data logger with Bluetooth connectivity with upgradability up to 5 sensors 32Gb of data storage LCD display Adjustable measuring time intervals
<b>Optional Equipment</b>	Dissolved Oxygen Kit Electrical conductivity, temperature & depth sensor Kit GPS Temperature, humidity, wind & pressure Kit Surveillance camera/motion sensor Kit Solar Panels Upgraded battery capacity Status light Wi-Fi, VHF, Iridium, RF, GPRS, 3G & 4G

